



# 平面锁系列

Flat lock series

## MS-400-KB

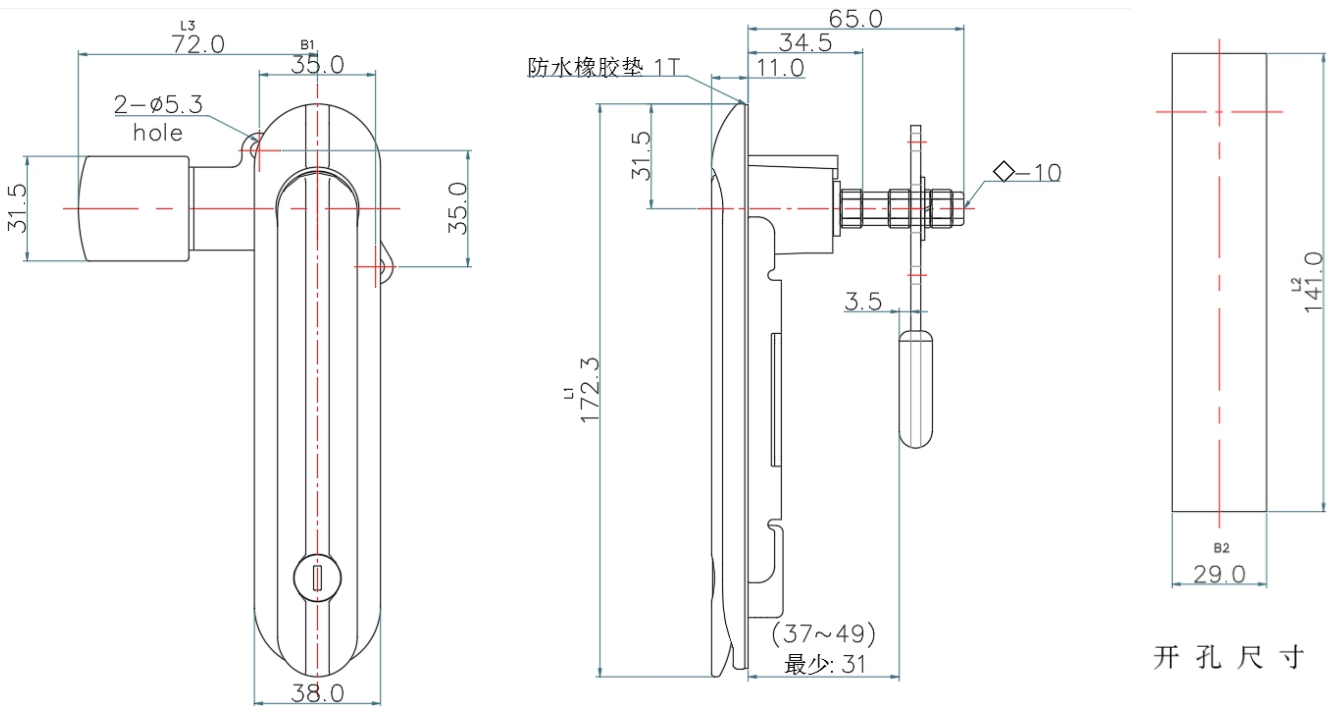
技术参数 Technical Parameter

- ✓ 材质: 锌合金锁体、转轴、镀锌压板、锁片、螺杆
- ✓ 表面处理: 镀亮铬/渡沙铬/喷塑黑
- ✓ 结构说明: 挑起手柄旋转90° 实现或关闭
- ✓ 防水等级: IP65



基本尺寸 Basic dimensions					产品型号 PRODUCT
L1	L2	L3	B1	B2	KL-AB-400-KB
172.3	141	72	38	29	

### 产品尺寸图 Product size



开孔尺寸

Communicate with you and me for a win-win future



+8615606777659



52712012@qq.com



浙江省温州市乐清市柳市镇岐头一村岐富路85号  
No. 85, Qifu Road, Qitou First Village,  
Yueqing City, Wenzhou City, Zhejiang Province



+86057762250322



https://kailangsuoye.1688.com