



弹跳锁系列 Bounce Lock KL-1-11

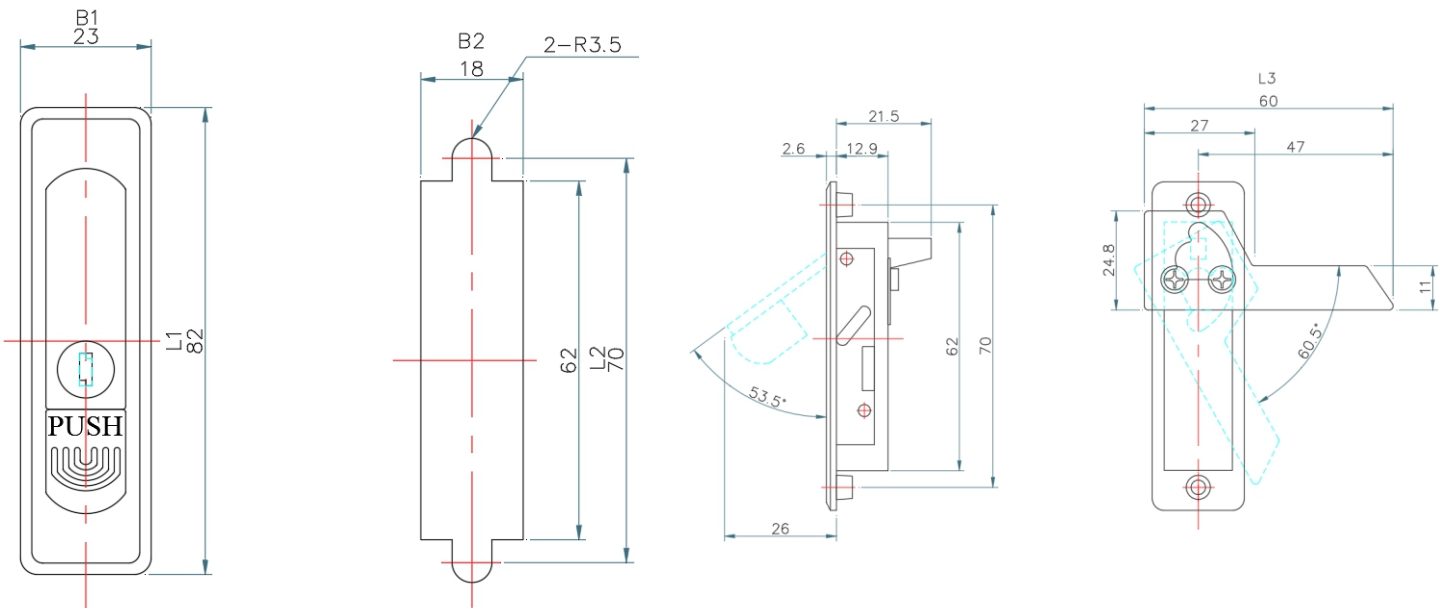
技术参数 Technical Parameter

- ✓ 材质: 锌合金锁体/镀锌压板锁片
- ✓ 表面处理: 镀亮铬
- ✓ 适用门板厚度: 1-5MM
- ✓ 防水等级: IP65



基本尺寸 Basic dimensions					产品型号 PRODUCT
L1	L2	L3	B1	B2	KL-1-11
82	70	60	23	18	

产品尺寸图 Product size



开孔尺寸

Communicate with you and me for a win-win future



+8615606777659



52712012@qq.com



浙江省温州市乐清市柳市镇岐头一村岐富路85号
No. 85, Qifu Road, Qitou First Village,
Yueqing City, Wenzhou City, Zhejiang Province



+86057762250322



<https://kailangsuoye.1688.com>