



转舌锁系列

Tongue Lock Sries

KS-MS-722

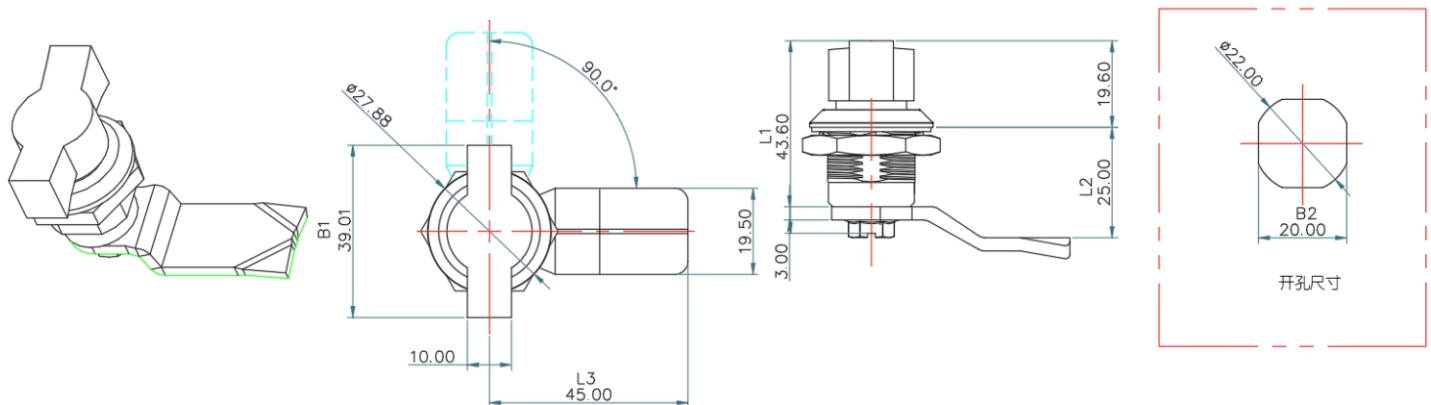
技术参数 Technical Parameter

- ✓ 材质：锌合金锁壳、锁芯，塑料、锁芯，接地螺母和碳钢刚柱
- ✓ 表面处理：喷无光黑/镀亮光铬
- ✓ 结构说明：90° 旋转实现开启或锁闭
- ✓ 防水等级：IP65



基本尺寸 Basic dimensions					产品型号 PRODUCT
L1	L2	L3	B1	B2	KL-MS-722
43.6	25	45	39.01	20	

产品尺寸图 Product size



Communicate with you and me for a win-win future



+8615606777659

52712012@qq.com

浙江省温州市乐清市柳市镇岐头一村岐富路85号
No. 85, Qifu Road, Qitou First Village,
Yueqing City, Wenzhou City, Zhejiang Province

+86057762250322

https://kailangsuoye.1688.com